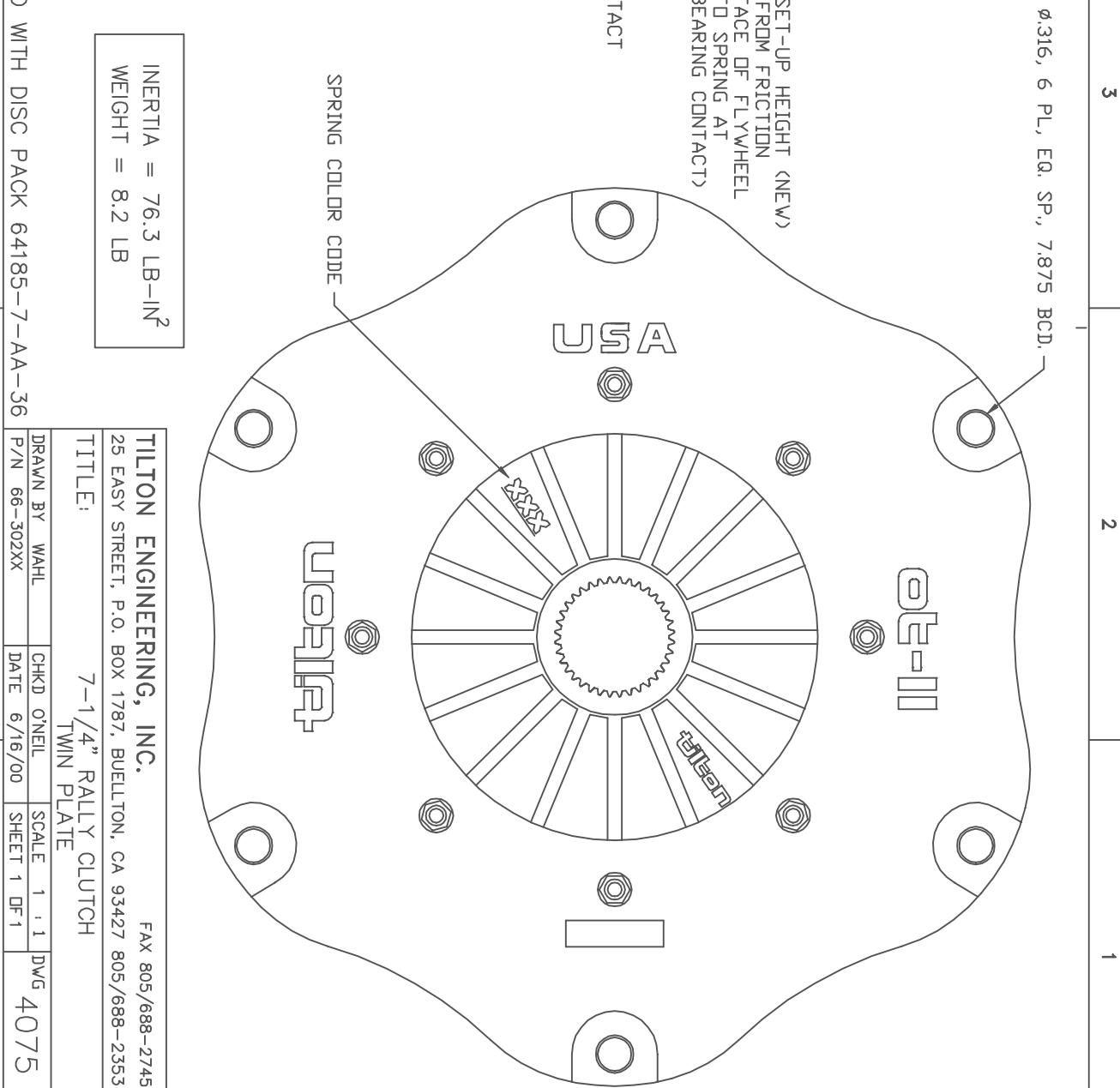
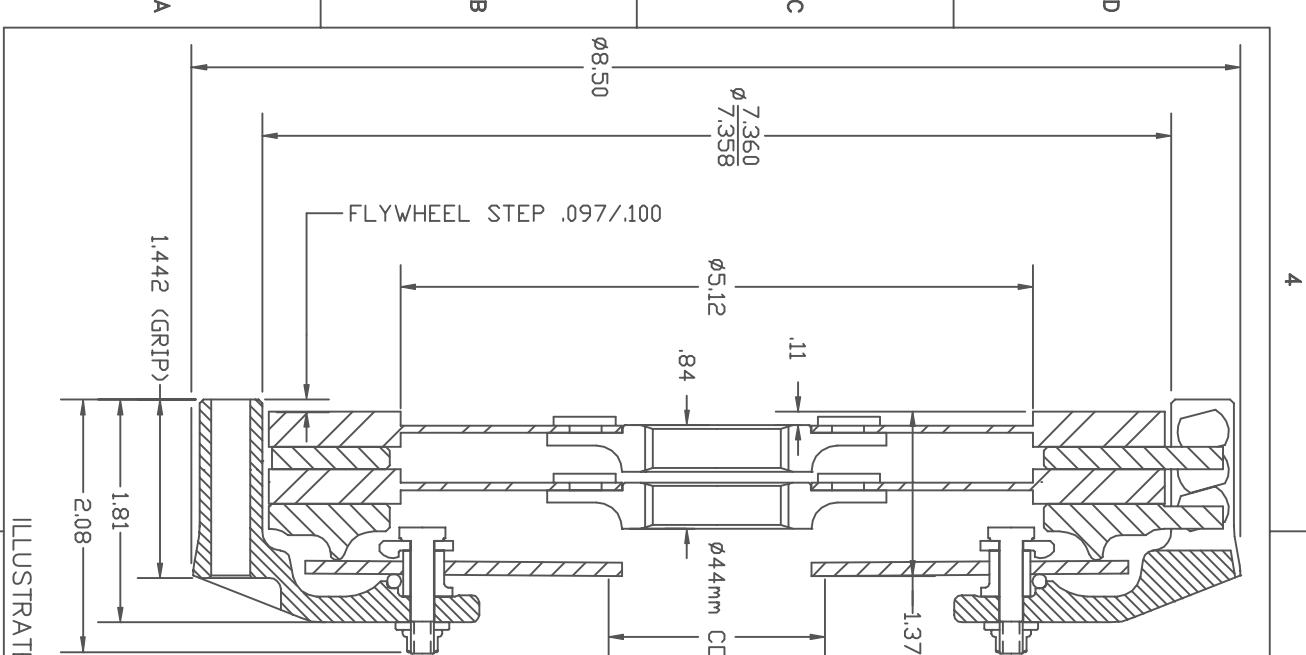


TILTON ENGINEERING, INC.
 25 EASY STREET, P.O. BOX 1787, BUELLTON, CA 93427 805/688-2353
 FAX 805/688-2745

TITLE: 7-1/4" RALLY CLUTCH SINGLE PLATE

DRAWN BY WAHL	CHKD ONEIL	SCALE 1 : 1	DWG 4074
P/N 66-301XX	DATE 6/16/00	SHEET 1 OF 1	



INERTIA = 76.3 LB-IN²
 WEIGHT = 8.2 LB

TILTON ENGINEERING, INC.
 25 EASY STREET, P.O. BOX 1787, BUELLTON, CA 93427 805/688-2353
 FAX 805/688-2745

TITLE: 7-1/4" RALLY CLUTCH TWIN PLATE

DRAWN BY WAHL	CHKD ONEIL	SCALE 1 : 1	DWG 4075
P/N 66-302XX	DATE 6/16/00	SHEET 1 OF 1	